

Specifications

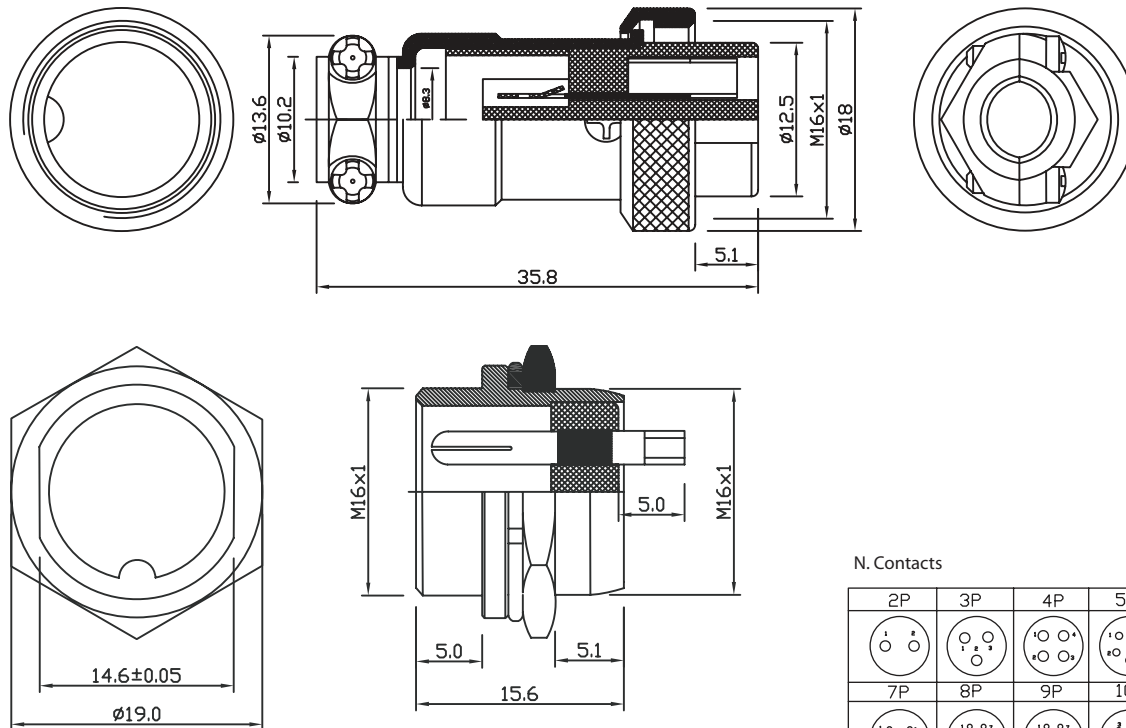
Safety approval : UL Water proof IP \geq 55
 Subminiature aviation linkers are widely used for the Hi-Tech trade. The appearances of the products has two kinds, plug-type and thread type. Used in the installation of the panel, small, exquisite and sensitive. It's nickel-plated and easy to plug-in.

Electrical Characteristics:
 Rated current: 2-4P: 7A
 5P: 5A
 6-10P: 4A

Rated Voltage: 125V
 Operation Voltage: 200 VAC
 Withstanding Voltage : 1500 VAC
 Insulation resistance : 2000M Ω DC 500V
 Contact resistance: 10 m Ω DC 1A

Solder cup mouth diameter: 2~4P: 1.6 mm
 5P: 1.2 mm
 6~10P: 0.9 mm

Solder diameter: 2-4P: 2.45 mm
 5P: 2 mm
 6-10P: 1.15 mm



N. Contacts

2P	3P	4P	5P	6P
7P	8P	9P	10P	

TYPE Ordering



General description of ordering code

FAMILY	MODEL	POSITIONS	TYPE
EC15	-	225M16	XX YY

UNITS: mm

SHEET SIZE: ISO A4

FILE **UL** -

> 0 ~ 3

> 3 ~ 18

> 18 ~ 50

> 50 ~ 120

± 0.12

± 0.15

± 0.3

± 0.5

! I prodotti e le caratteristiche possono cambiare senza preavviso.
 The products and their features may change without notice.

AUDIO-POWER



euro-conn

