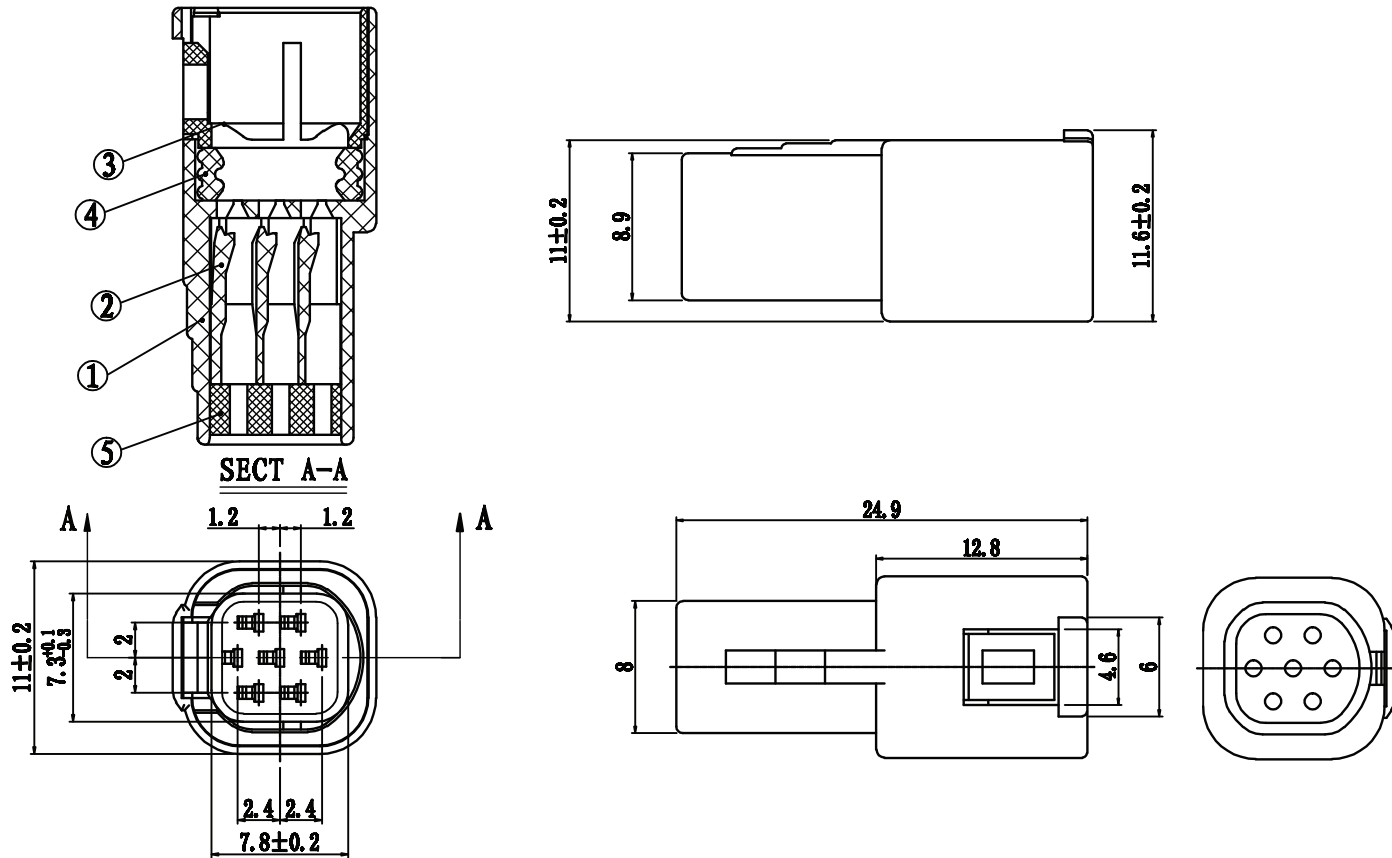


Technical Requirement

- 1) No Burr, crack, bubble, black of material and other defect on the surface.
 - 2) The keep force of the housing and clip is 80N -100N
 - 3) The keep force of the housing and clip is 60N-80N
 - 4) Terminal retention force >34-2N
 - 5) Connector mating force of EC-DJ7071-08-10 and EC-DJ7071-08-20 <45N
- Connector un-mating force of EC-DJ7071-08-10 & EC-DJ7071-08-20 is 10-39N;



PN: **EC-DJ7071-08-10**

6					
5	EC-DJ7071-08-15	Seal	Silicon	1	
4	EC-DJ7071-08-14	Seal Ring	Silicon	1	
3	EC-DJ7071-08-13	Clip 2	PBT	1	
2	EC-DJ7071-08-12	Clip 1	PBT	1	
1	EC-DJ7071-08-11	Housing	PBT	1	
Mark	Specification	Name	Material	Amount	Remarks

UNITS: mm

SHEET SIZE: ISO A4

SCALE: ----

> 0 ~ 3

> 3 ~ 18

> 18 ~ 50

> 50 ~ 120

± 0.12

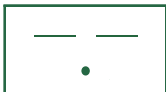
± 0.15

± 0.3

± 0.5

! I prodotti e le caratteristiche possono cambiare senza preavviso.
The products and their features may change without notice.

MICRO SEAL



euro-conn

