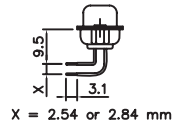
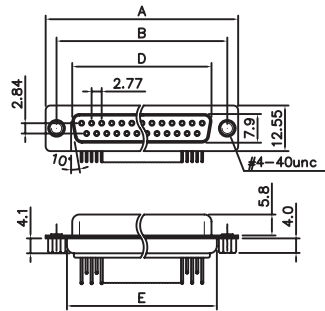


CONSULT SALES OR FACTORY FOR OTHER MOUNTING STYLE OPTIONS

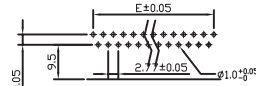


X = 2.54 or 2.84 mm

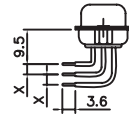
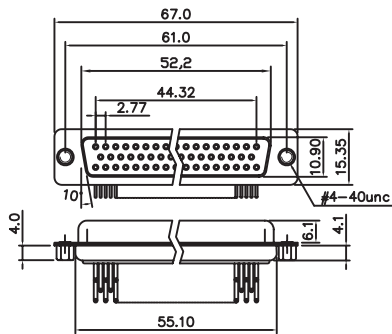
9.4mm Footprint Machined Pin (W/O Rear Cover)

Dimensions

Positions	A	B	D	E
9	30.81	24.99	16.33	11.08
15	39.20	33.30	24.70	19.39
25	53.05	47.04	38.40	33.24
37	69.40	63.50	54.80	49.86

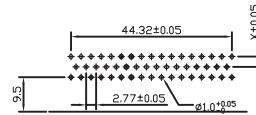


X = 2.54 or 2.84 mm
RECOMMENDED PCB LAYOUT
FEMALE\MALE



X = 2.54 or 2.84 mm

50 Positions Machined Pin (W/O Rear Cover)



X = 2.54 or 2.84 mm
RECOMMENDED PCB LAYOUT
FEMALE\MALE

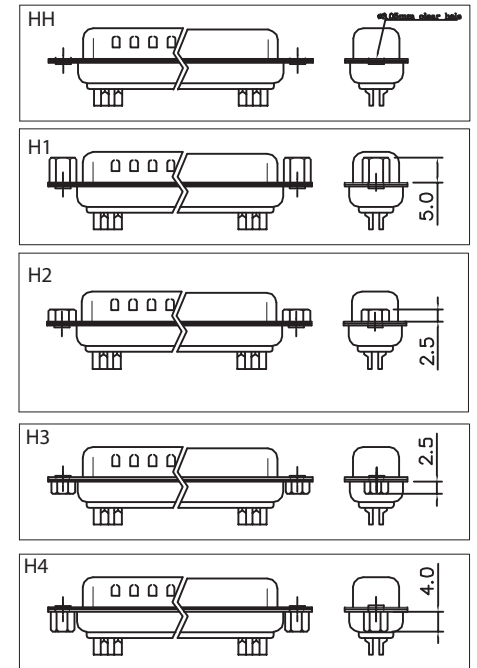
Product Specification

Material

- Insulator : Glass-Filled Thermoplastic PBT, UL94V-0
- Contact : Brass
- Shell : Steel, 100u" Tin Over 50u" min Copper
- Clinch Nut : Brass, Nickel Plated.
- Boardlock : Brass, Tin Plated.
- Screwlock : Brass, Nickel Plated.

Electrical

- Contact Resistance : 20 milliohms
Max at 1 AMP DC.
- Insulation Resistance : 1000
megohms at 500 VDC
- Dielectric Withstanding Voltage :
1000 VAC/rms 60Hz for 1 minute
- Current Rating : 3 AMP
- Volatge Rating : 250 VAC/rms 60Hz



General description of ordering code

FAMILY	MODEL	CONTACT TYPE	N° PIN	TYPE	CLIP PLATING	PITCH - F -	PCB OPTIONS	ACCESSORIES
DS	D	M	09	M [male]	F [flash gold]	1 [pitch mm 7,10]	0 [Whitout Fork]	HH [clear hole, 1 mm]
			15	F [female]	G [gold 15u"]	2 [pitch mm 9,40]	1 [With Fork]	H1 [screwlocks 4/40]
			25		D [gold 30u"]			H2 [rivet 4/40]
			37					H3 [rivet 4/40]
								H4 [screwlock 4/40]



euro-conn



UNITS: mm

SHEET SIZE: ISO A4

SCALE:---

First angle projection

> 0 ~ 3

> 3 ~ 18

> 18 ~ 50

> 50 ~ 120

± 0.12

± 0.15

± 0.3

± 0.5

D-SUB