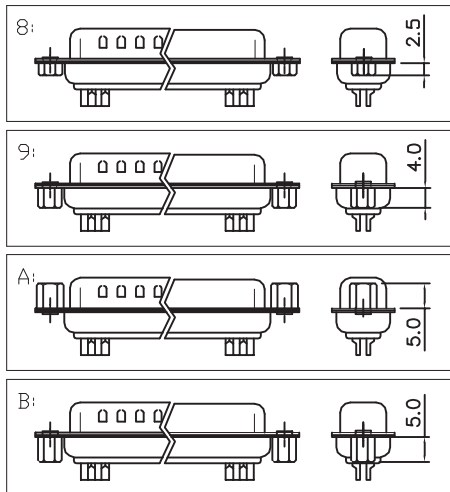
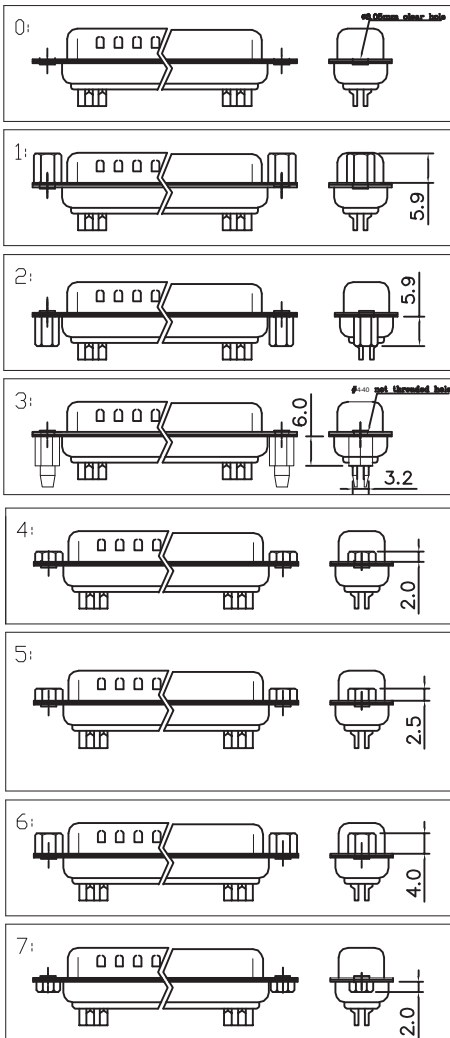


1 THE INFORMATION CONTAINED IN THIS DOCUMENT IS PROPRIETARY TO Y-S ELECTRONIC, ANY REPRODUCTION IN PART OR WHOLE WITHOUT PRIOR WRITTEN APPROVAL OR AUTHORIZATION OF Y-S ELECTRONIC IS STRICTLY PROHIBITED.

REVISIONS				
REV	ECN NO.	DESCRIPTION	APPROVED BY	DATE



4 RoHS COMPLIANT

f:Position of Clinch Nut



CONSULT SALES OR FACTORY FOR OTHER MOUNTING STYLE OPTIONS

DO NOT SCALE DRAWING

DIMENSIONS: <input type="checkbox"/> MM [INCH] <input type="checkbox"/> INCH [mm] <input checked="" type="checkbox"/> MM ONLY	CAD GENERATED DRAWING, DO NOT MANUALLY UPDATE DRAWN BY AND DATE JUSTIN XING 11-21-05	 <b>Y-S ELECTRONIC CO., LTD.</b> No. 101, Sec. 1, Long-An Street, Lu-Chu, Taoyuan, Taiwan, R.O.C. TEL: +886-3-3609819 FAX: +886-3-3609817	
	UNLESS OTHERWISE SPECIFIED, GENERAL TOLERANCE: DECIMALS      ANGLES .X ±0.38 [0.015]    X° ±3° .X ±0.25 [0.010]    .X° ±1.0° .XX ±0.13 [0.005]		CHECKED BY AND DATE JUSTIN XING 11-21-05 APPROVED BY AND DATE KING CHIU 11-21-05 THIRD ANGLE PROJECTION
MATERIAL		DRAWING NO. 100-XXXXXXXXXX	REV A
FINISH	SCALE: 1 : 1      SIZE: A3	FILE NO.	SHEET 3 OF 3