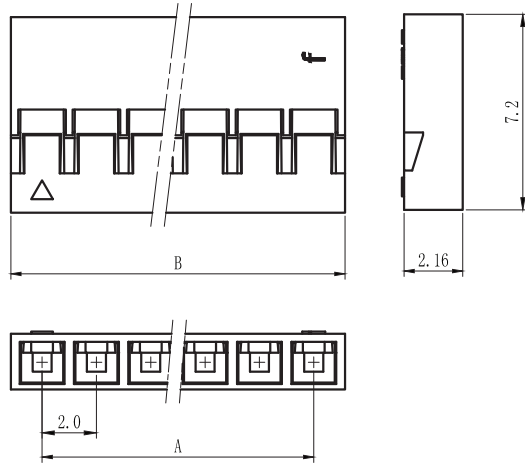
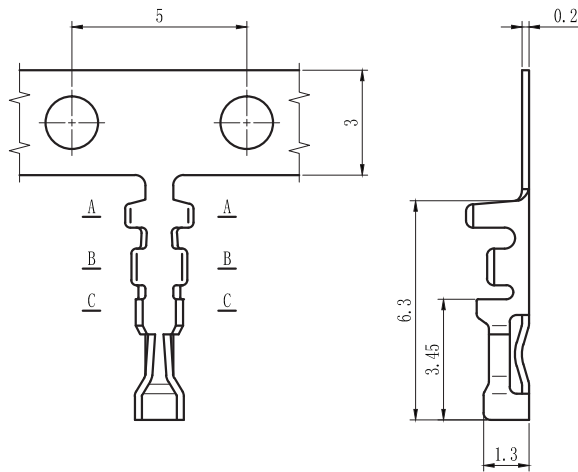


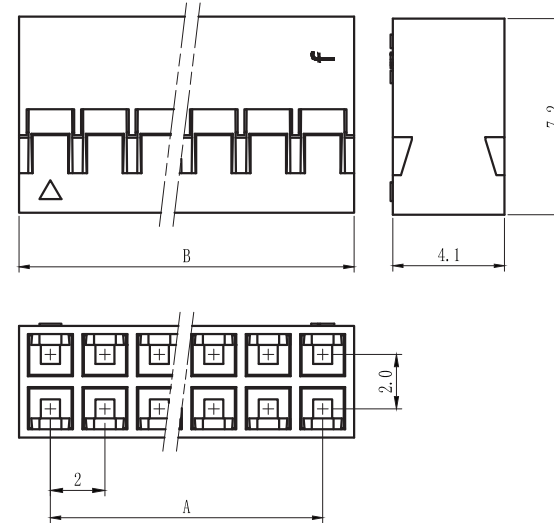
Poles	Dimensions mm	
	A	B
2	2.00	4.3
3	4.00	6.3
4	6.00	8.3
5	8.00	10.3
6	10.00	12.3
7	12.00	14.3
8	14.00	16.3
9	16.00	18.3
10	18.00	20.3
11	20.00	22.3
12	22.00	24.3
13	24.00	26.3
14	26.00	28.3
15	28.00	30.3
16	30.00	32.3
17	32.00	34.3
18	34.00	36.3
19	36.00	38.3
20	38.00	40.3



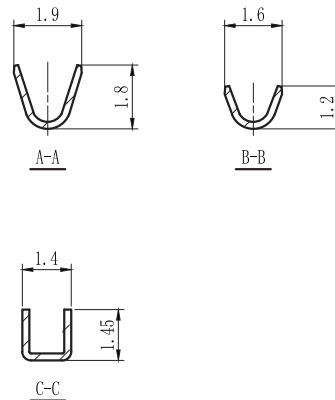
Single row



Poles	Dimensions mm	
	A	B
4	2.00	4.3
6	4.00	6.3
8	6.00	8.3
10	8.00	10.3
12	10.00	12.3
14	12.00	14.3
16	14.00	16.3
18	16.00	18.3
20	18.00	20.3
22	20.00	22.3
24	22.00	24.3
26	24.00	26.3
28	26.00	28.3
30	28.00	30.3
32	30.00	32.3
34	32.00	34.3
36	34.00	36.3
38	36.00	38.3
40	38.00	40.3



Double rows



Specifications

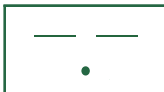
- 1、 Poles: 2 to 20P or 4 to 40P
- 2 Current rating: 2.0A AC,DC
- 3、 Voltage rating: 250V AC,DC
- 4、 Temperature range: -25 to +85
- 5、 Contact resistance: ≤20mΩ
- 6、 Insulation resistance: ≥1000mΩ
- 7、 Withstand voltage: 1000V AC/minute
- 8、 Applicable wire: AWG #30 to #26
- 9、 Housing: PA66 (UL94v0 / UL94v2)
- 10、 Terminal: Copper Alloy / Gold flash or Tin

General description of ordering Terminal

FAMILY	PITCH	TYPE	PLATING
BT	200	24 [awg30<26]	T [tin]
			G [gold flash]

General description of ordering Housing

FAMILY	PITCH	ROWS	MODEL	CENTRAL BUMP
BH	200	1	V	0 [without]
		2		P [with]



euro-conn



UNITS: mm

SHEET SIZE: ISO A4

FILE **UL - E356435**

> 0 ~ 3

> 3 ~ 18

> 18 ~ 50

> 50 ~ 120

± 0.12

± 0.15

± 0.3

± 0.5

! I prodotti e le caratteristiche possono cambiare senza preavviso.
The products and their features may change without notice.

INTER-CONN