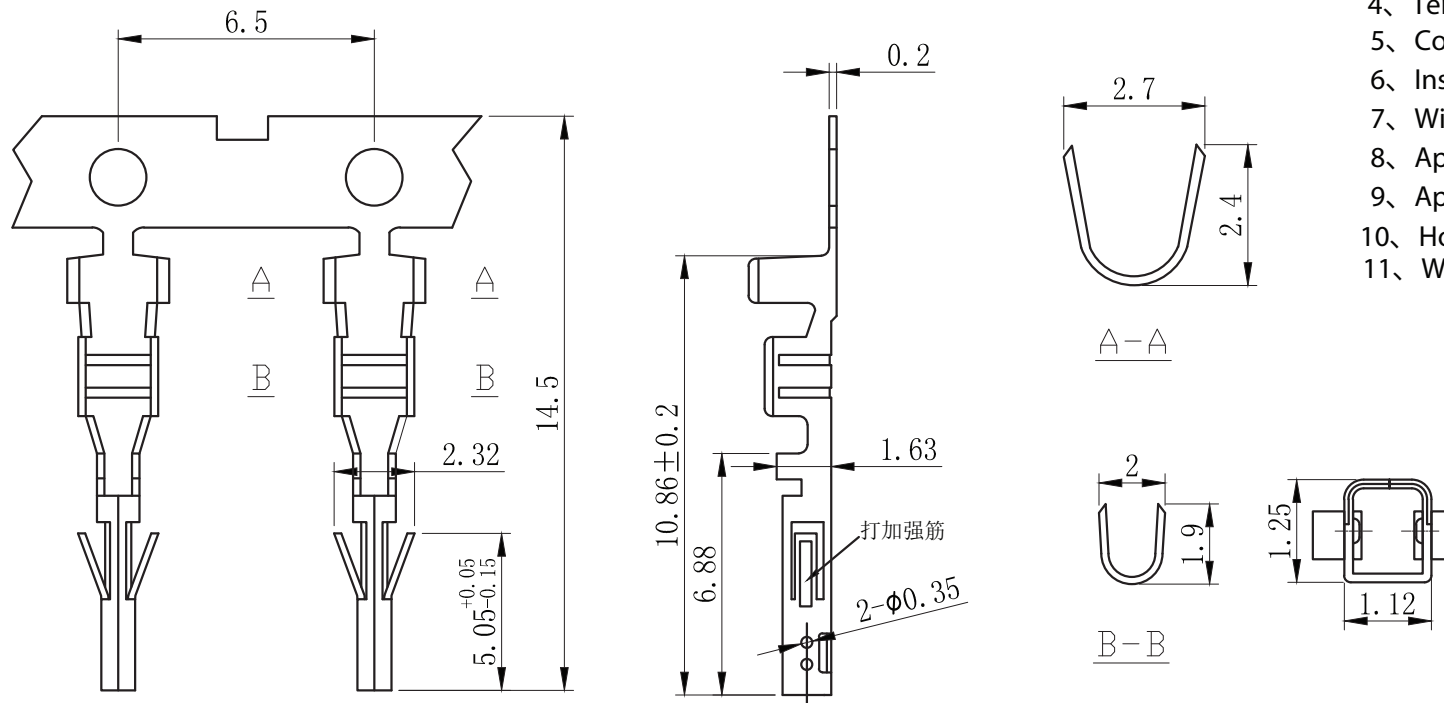


Specifications

- 1、 Poles: 2 to 12P/2X1 to 2X12P
- 2、 Current rating: 5A AC,DC
- 3、 Voltage rating: 250V AC,DC
- 4、 Temperature range: -25° to +85°
- 5、 Contact resistance: $\leq 30\text{m}\Omega$
- 6、 Insulation resistance: $\geq 1000\text{M}\Omega$
- 7、 Withstand voltage: 1500V AC/minute
- 8、 Applicable wire: AWG #20 to #24
- 9、 Applicable PC board thickness: 1.6mm to 2.0mm
- 10、 Housing: PA66 (UL94V0)
- 11、 Wafer: Brass - Tin



General description of ordering code

FAMILY	MODEL	PLATING	POLES
RM	FB	-	1 [awg 22>26]
			2 [awg 18>22]



euro-conn



UNITS: mm

SHEET SIZE: ISO A4

SCALE: ----

> 0 ~ 3

> 3 ~ 18

> 18 ~ 50

> 50 ~ 120

± 0.12

± 0.15

± 0.3

± 0.5

! I prodotti e le caratteristiche possono cambiare senza preavviso.
The products and their features may change without notice.

MICRO 300