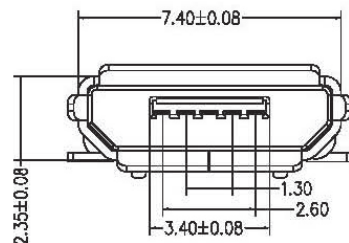
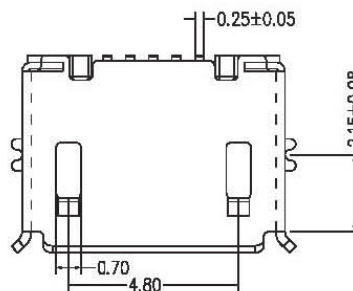
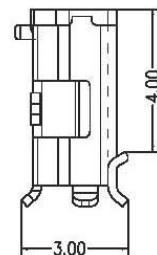
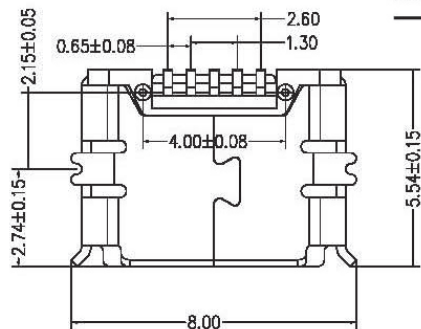


Recommended P.C.B Layout (Top Side)
Tolerance=±0.05



Material:

The rubber core: LCP UL94V-0

Terminal: C2680R-H, Gold plated

Shell: C2680F-H, Surface plating tin 100 μ or All the gold 1μ"

Main features:

Rated current: 0.5A

The contact impedance: 30 mΩ max.

Insulation resistance: 100MΩ Min 250V DC

Withstanding Voltage: 250V AC

Solderability: temperature 235±5 , time 5±0.5s

Back PIN force: 0.5kgf Min.

Service life: 10000 times

Operating temperature: -30 ~+80

General description of ordering code

FAMILY	TYPE	N° PIN	VERSION	CLIP PLATING	OPTION	PACKAGE
MUSB	N	05	N [SMD]	F [flash gold]	E [peg]	T [tube]
						R [reel]
						V [tray]



euro-conn



UNITS: mm

SHEET SIZE: ISO A4

SCALE: ----

> 0 ~ 3

> 3 ~ 18

> 18 ~ 50

> 50 ~ 120

± 0.12

± 0.15

± 0.3

± 0.5

! I prodotti e le caratteristiche possono cambiare senza preavviso.
The products and their features may change without notice.

MICRO-USB