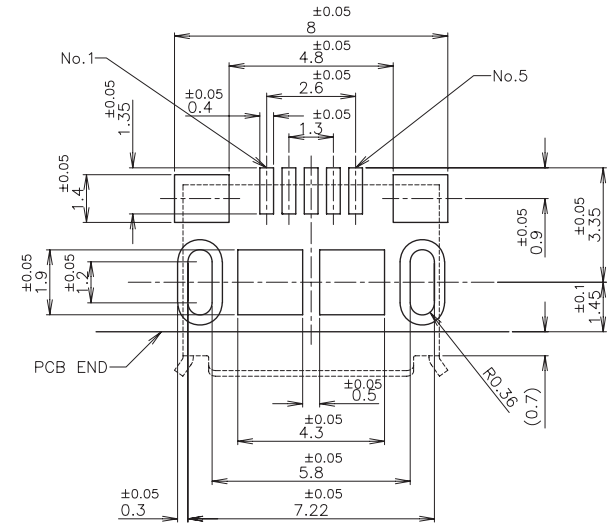
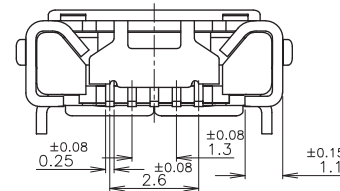
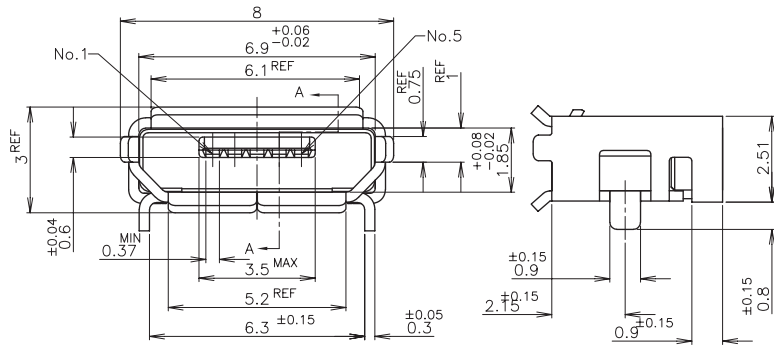


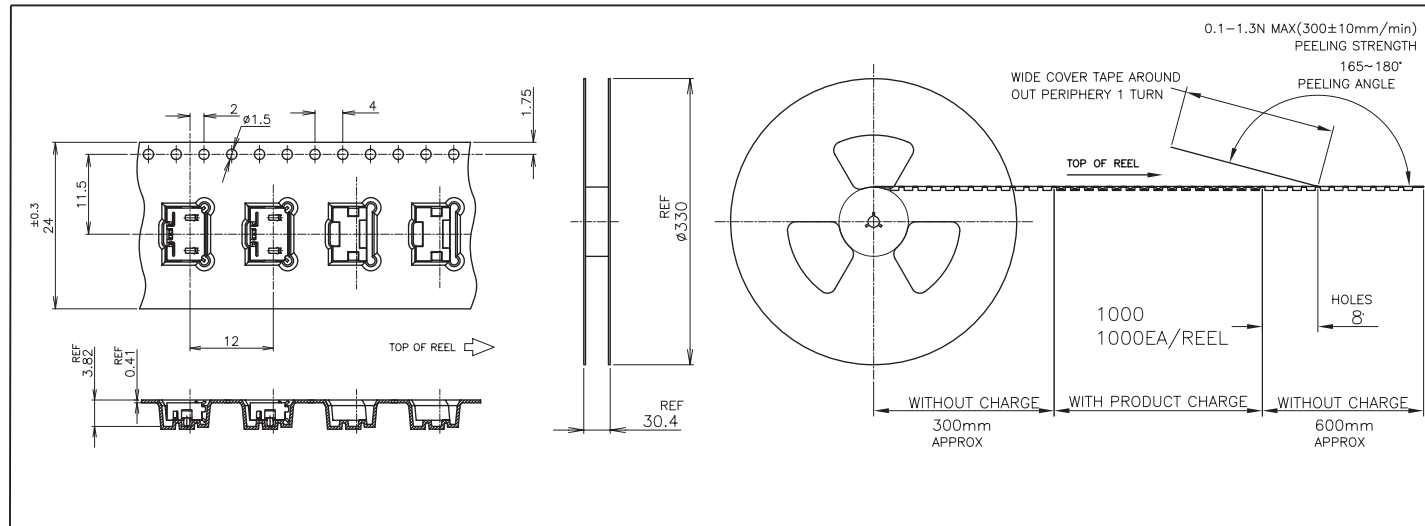
SECT A-A(16:1)



PCB LAYOUT(REFERENCE)
(VIEWED FROM CONNECTOR MOUNT SIDE)



- △ DATE CODE MARKING
- 2. OVERALL TOLERANCE: ±0.2
- 3. MATERIAL HOUSING : THERMOPLASTIC RESIN UL94V-0
CONTACT : COPPER ALLOY
SHELL : STAINLESS STEEL
- 4. FINISH CONTACT : Ni UNDER PL
Au PL OVER Ni PL AT CONTACT AREA
SHELL : Ni UNDER PL
Sn PL



euro-conn



UNITS: mm		SHEET SIZE: ISO A4		SCALE:	
> 0 ~ 3	> 3 ~ 18	> 18 ~ 50	> 50 ~ 120	Rev. n.01	13/06/2018
± 0.12	± 0.15	± 0.3	± 0.5		

! I prodotti e le caratteristiche possono cambiare senza preavviso.
The products and their features may change without notice.

MUSB-P05NFOR