

Electrical Specifications

Impedance: 50 Ω

Frequency Range

Semi-rigid cable: 0-18 GHz

Flexible cables: 0-12.4 GHz

Voltage Rating : 335 volts rms.

Dielectric Withstanding Voltage : 500 volts rms.

VSWR :

1.15 +0.02 f (GHz) for Straight connector typical

1.25 +0.025 f (GHz) for Right angle connector typical

Contact Resistance

Center contact: 2.0 mΩ

Body: 2.0 mΩ

Insulation Resistance: 5,000 MΩ

Mechanical Specifications

Mating: 1/4"-36 UNS thread coupling

Cable retention: 6kgf typical

Durability: 500 Cycles Min.

Coupling nut retention: 18kgf Min.

Temperature Range: -55°C to +155°C

Material

Connector body: Brass per QQ-B-626 ,gold Plating or nickel

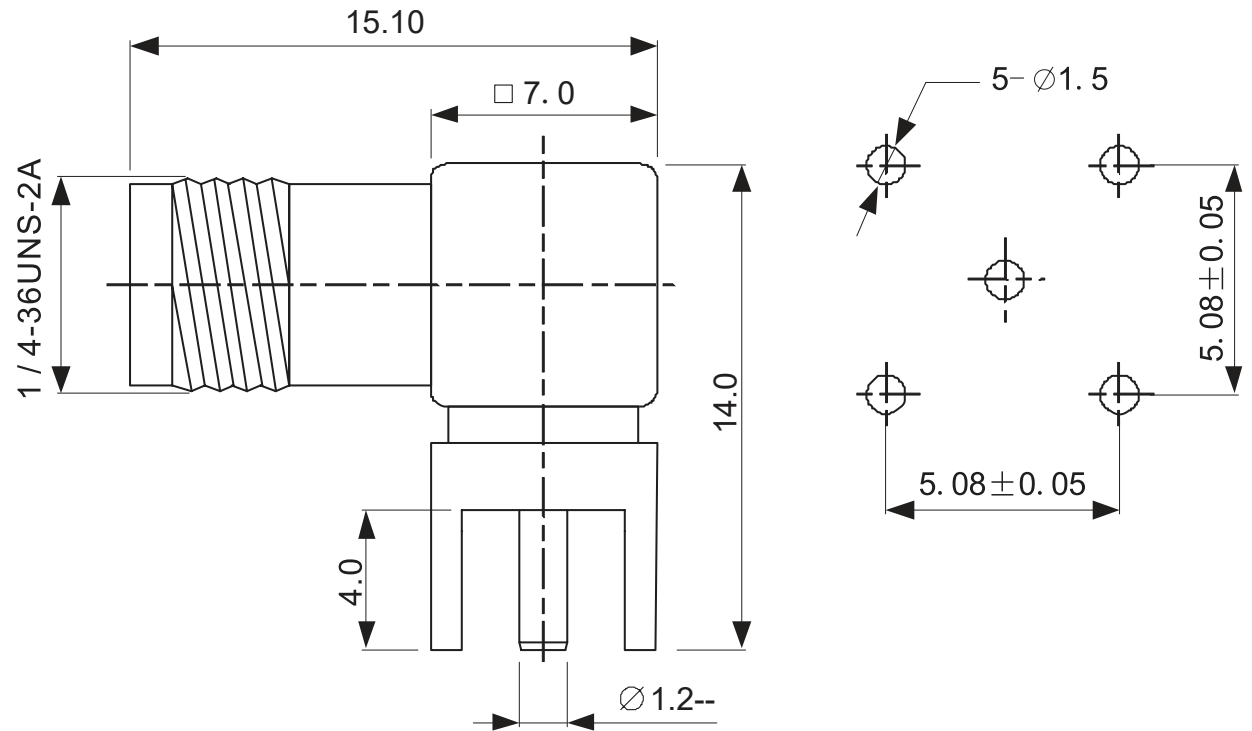
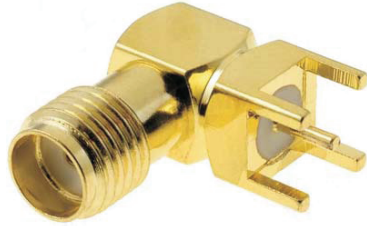
Center contact Male: Brass, gold Plating

Center contact Female: Beryllium copper, gold Plating

Insulator: PTFE

Gasket: Silicone rubber

Crimp Ferrule: Annealed copper



Pn: SMA14-J6R1



euro-conn



UNITS: mm

SHEET SIZE: ISO A4

SCALE:

> 0 ~ 3

> 3 ~ 18

> 18 ~ 50

> 50 ~ 120

± 0.12

± 0.15

± 0.3

± 0.5

! I prodotti e le caratteristiche possono cambiare senza preavviso.
The products and their features may change without notice.

RF-COAX